

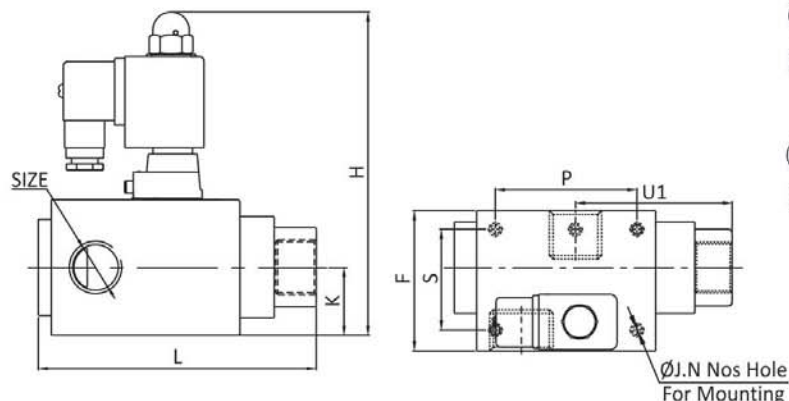
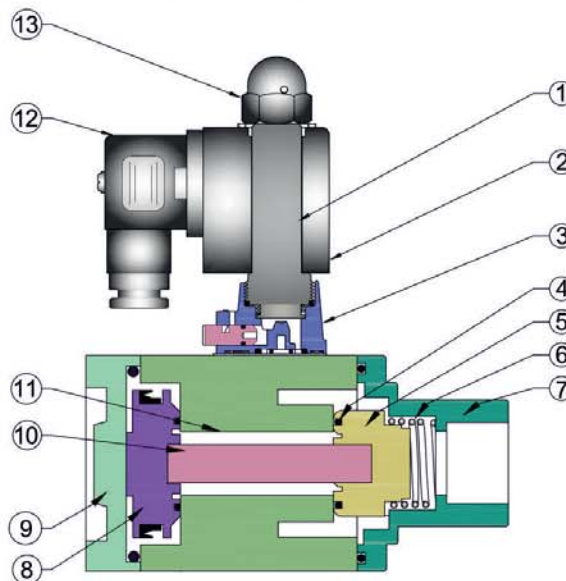
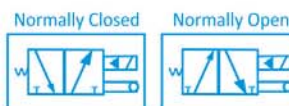
## 3/2 Way Poppet Type Solenoid Valve

### Features

- ▶▶ Poppet type Heavy duty Valve
- ▶▶ Suitable for Loading & Unloading Application
- ▶▶ High Flow Volume
- ▶▶ Fast Action
- ▶▶ Coil - Continuous duty low power consumption, CIMFR & CE Approved.
- ▶▶ Superior High Grade Seals
- ▶▶ Simple design easy to maintenance
- ▶▶ Manual Operator Push, Rotate & Lockable type.

### Technical Specification

Model	PPT - 32 - 2	PPT - 32 - 3	PPT - 32 - 4	PPT - 32 - 5
Size	1/2"	3/4"	1"	1.1/2"
Orifice	12.5	20	25	40
Design	Poppet type, Internal Pilot Operated ( External Pilot On Request)			
Pressure	2.5 to 10 Kg/cm <sup>2</sup>			
Temperature	80 °C			
Leakage	Bubble Tight			
Duty Cycle	Continuous Rated			
Protection	IP 65 [Flameproof / Explosion Proof As Per IS / IEC 60079 - 1 Standard Approved by Central Institute of Mining and Fuel Research (CIMFR)]			
Connector	DIN 43650 A			
Response Time	15 msec ON / 25 msec OFF			
Coil Voltage	12V, 24V, 48V, 110V, 230V, (AC / DC) 50 / 60 Hz ( Non Std. Voltage Available On Request )			
Media	Compressed Air ( Filtered & Lubricated )			
Flow (NLPM) at 5 BAR	3500	8000	11300	17000
Weight (Kg)	0.860	2.030	2.205	5.290



### Dimensions :

(All Dimensions are in mm)

MODEL	SIZE	L	H	K	P	F	S	U1	ØJ	N
PPT - 32 - 2	1/2"	100	135	25	34	61	50	61	M6	3
PPT - 32 - 3	3/4"	150	165	38.5	76	77	57	88	M6	4
PPT - 32 - 4	1"	160	165	38.5	76	77	57	97	M6	4
PPT - 32 - 5	1.1/2"	225	190	50.5	128	101	81	138	M8	4

No.	Part Name	Material
1	Cap Nut	Steel Nickle Plated
2	Coil	Std. Material
3	Armature Assembly	Standard Steel
4	Armature Body	Zinc Pressure Die Cast
5	'O' - Ring	Hi - Nitrile
6	Piston	Aluminum
7	Spring	S. Steel
8	Top Cover	Aluminum
9	Piston with Molded	Aluminum
10	Cover	Nylon / Aluminum
11	Stud	Brass
12	Body	Aluminum
13	Connector	DIN 43650A